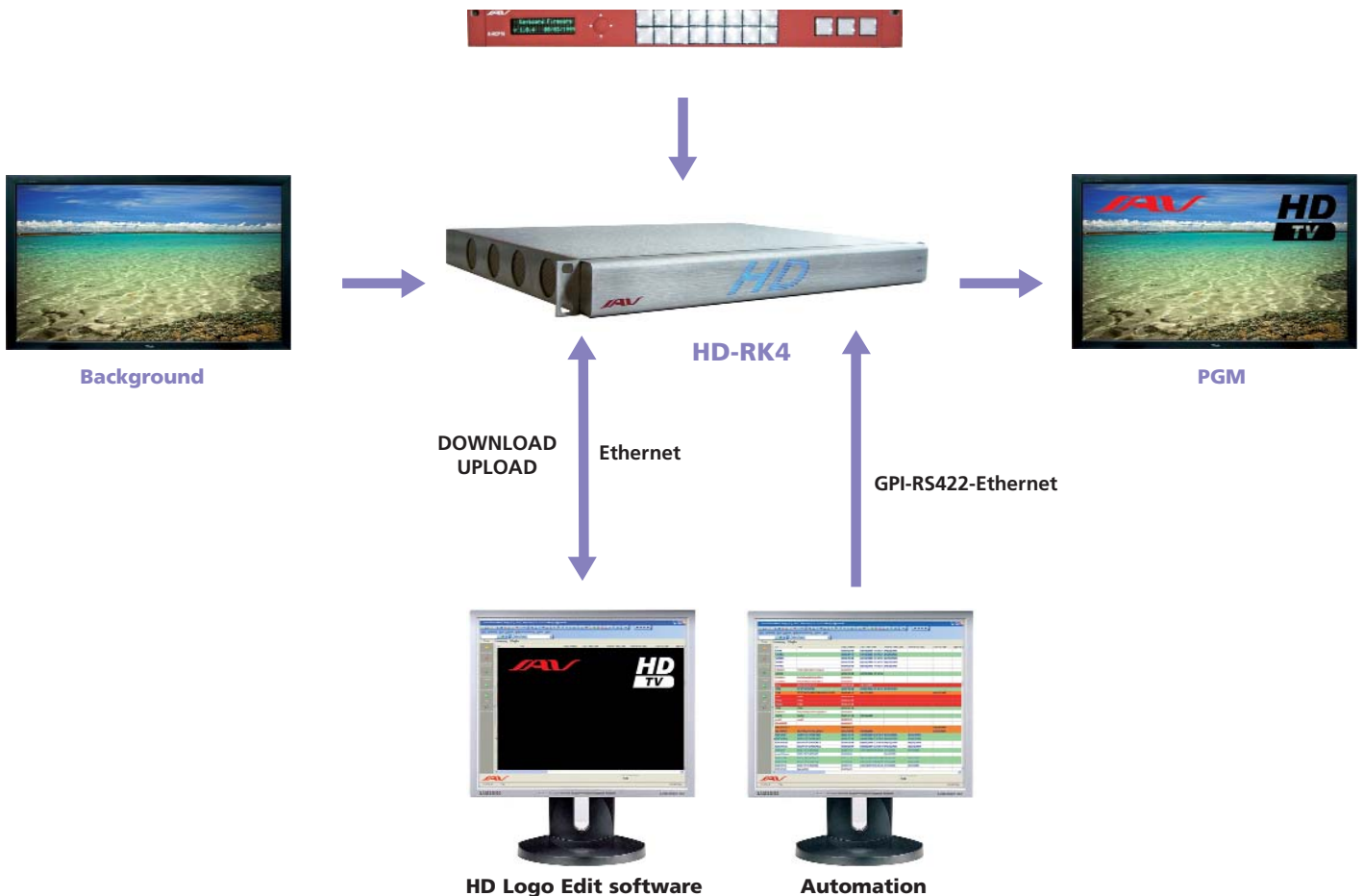


General

HD-LOGO is a 4-layers SD/HD logo generator board with built-in keyer. Each of the four channels provide static or animated logos. Logos are loaded via the Ethernet port in BMP or TGA formats. HD-LOGO can be fitted in a rack frame that comes with automatic by-pass capability as standard and can host up to four boards in only 1 U. This rack frame can also be fitted with any SAV HD boards.



HD-LOGO



Description

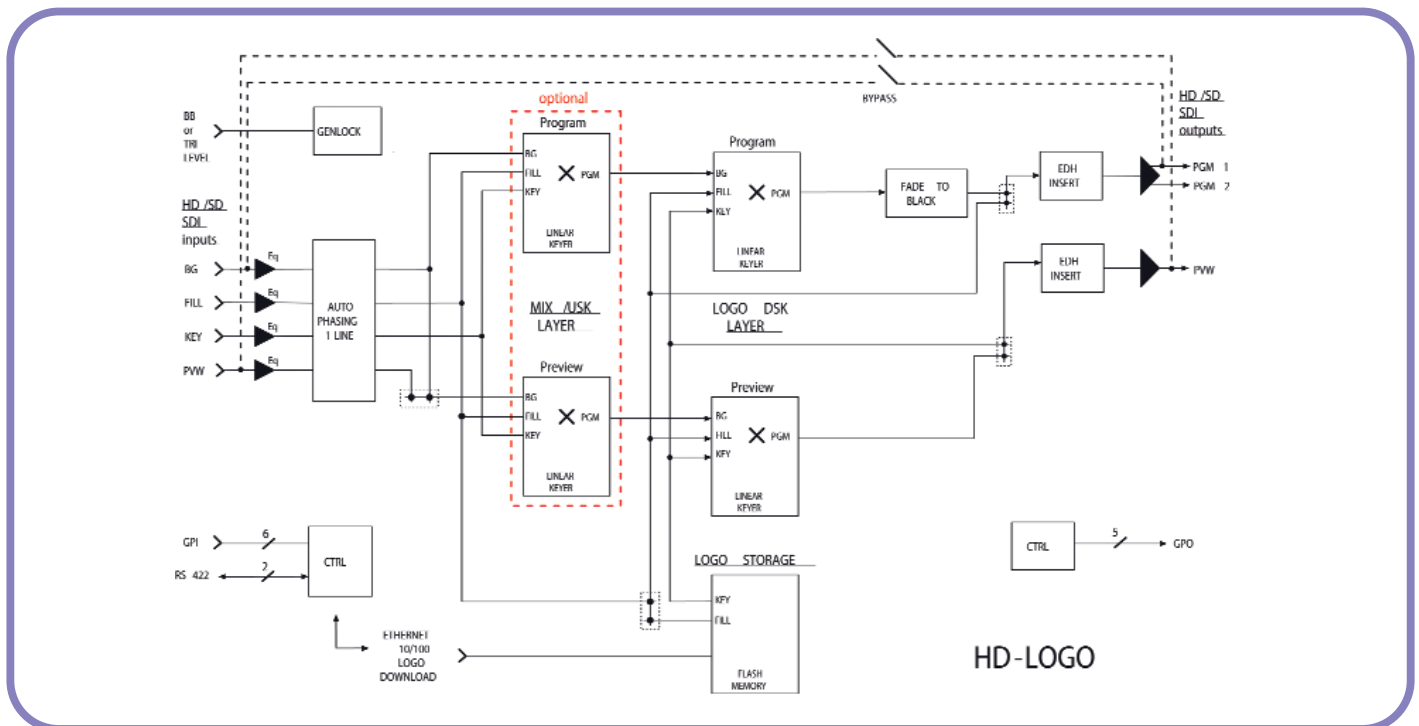
- Broadcast Digital Logo Inserter
- Stores and inserts animated and static logos
- 4 simultaneous logos can be keyed with independent fade control
- Automatic by-pass
- HD and SD compatibility
- Space saving: 1U 19" for 4 HD boards

Applications

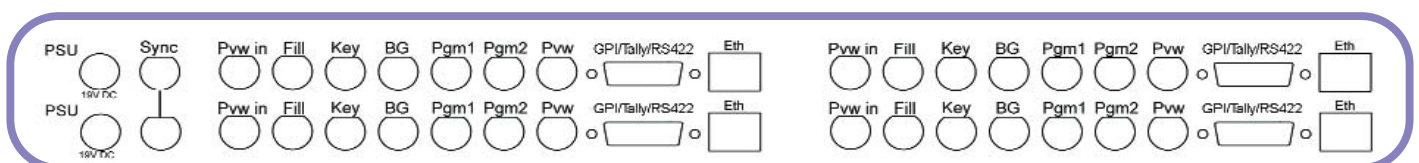
- Branding applications
- Channel Identification
- Full frame generator
- Test pattern storage

Specifications

- 4 layers Logo Generator
- Static and animated Logos
- Ethernet 10/100 base-T Download
- 384 Mbytes of Flash Memory (64 full screen)
- Logos may have any size and any position with different transparencies
- Graphics formats supported: BMP, TARGA, TIF...
- Transparent for auxiliary data and embedded audio
- HD-LOGO is multi standards:
 - > SD 625i (EBU BT601)
 - > SD 525i (SMPTE 125M)
 - > HD 1080i/50 (SMPTE 274M-6)
 - > HD 1080i/59.94 (SMPTE 274M-5)
 - > HD 720p/50 (SMPTE 296M-3)
 - > HD 720p/59.94 (SMPTE 296M-2)
- Internal 12 bits
- 1 SDI BG input with autophasing 1 line
- 2 SDI Program outputs
- 1 SDI Preview output
- Optional extra level of keying (USK)
- Optional Dual Power supply for rack frame Max 90W, 100V to 250V, 50/60Hz
- EDH insertion
- Automatic by-pass on PGM 1
- Reference sync with loop through
 - > Black burst sync for SD and HD
 - > Tri-level sync for HD
- Genlock with horizontal and vertical phasing
- Transition: Cut or Fade
- Fade to black on Program
- Remote Control Panel (option KRCP16) to recall logo sequences and to reposition logos
- Virtual control Panel with Ethernet connection
- 6 GPI
- 5 GPO open collector pull-down Tally-Alarm
- Up to 4 HD-LOGO in 1U-19" rack frame
- CE & FCC Part 15 compliant



Rear Panel HD-RK4



Related products

- **HD-RK4** : Rack frame (1U-19") for up to 4 boards with 1 power supply
- **K-RCP16** : Control Panel for 16 sequences
- **K-IP** : Ethernet control panel for several HD-CLOCK and HD-LOGO boards

Options

- **HD-LOGO-OPT1** : Extra layer of keying (USK)
- **RED-PW 90** : Extra power supply for redundancy