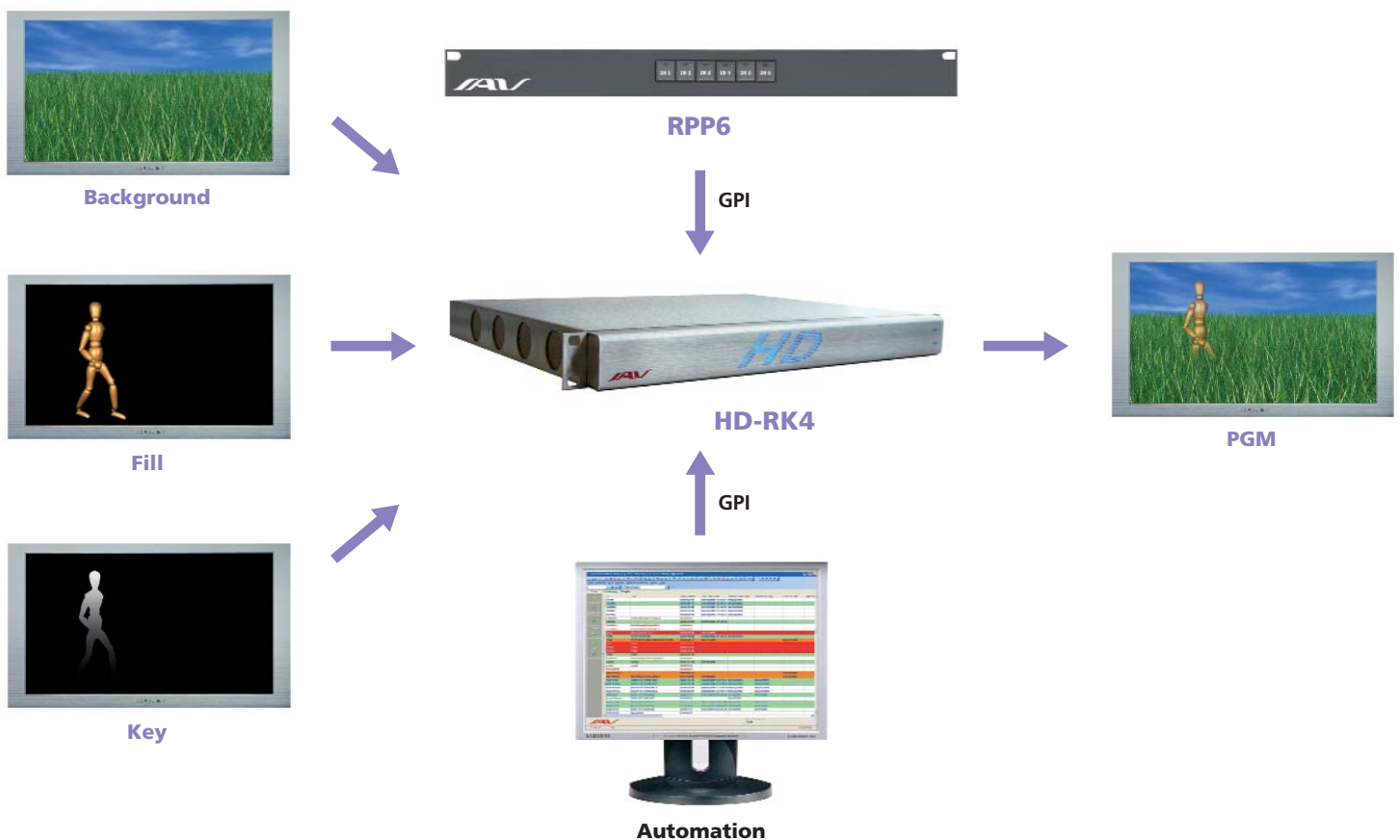


General

The HD-DSK is a high definition downstream keyer. Each channel provides fill, key, background and preview inputs with two programs and one preview output. The HD-DSK operates with all current HD and SD standards. The HD-DSK provides his linear keyer, cut and fade transitions. One keyboard can control up to 18 boards at the same time. The HD-DSK is the best ratio quality/price on the market.



HD-DSK



Description

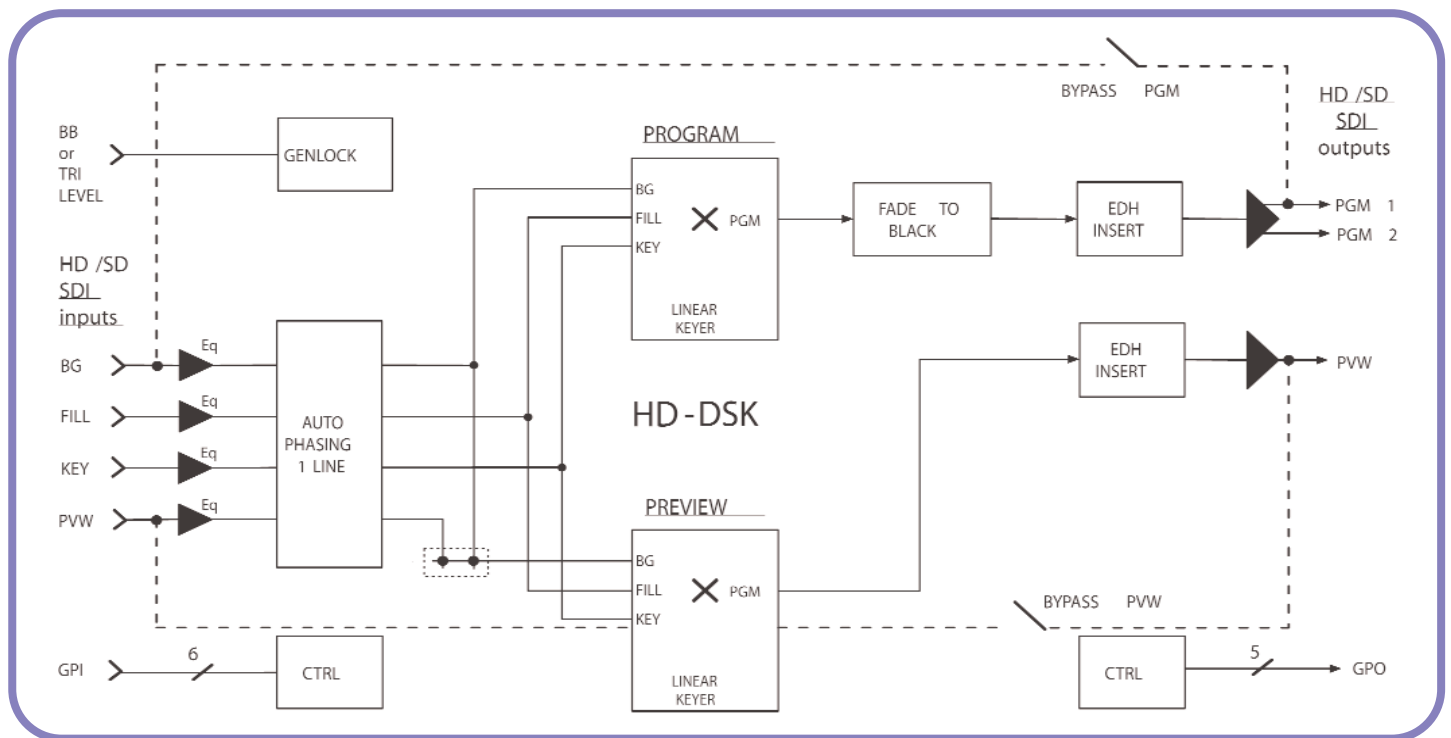
- Broadcast Digital keyer
- Up to 4 keyers in a 1U-19" frame
- Can be cascaded together with preview input (for multiple layers)
- Automatic by-pass
- Space saving: 1U-19" for 4 HDboards

Applications

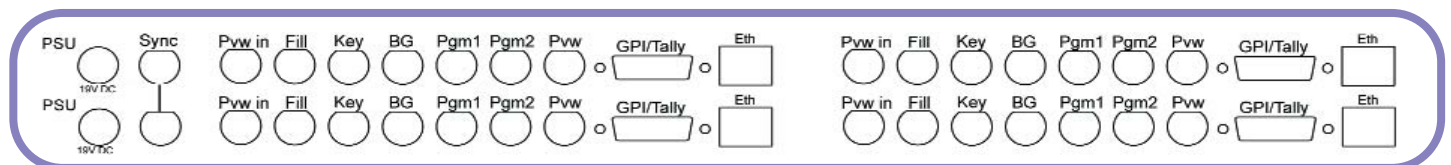
- Add DSK layers to video mixer/switcher...
- Character generator keying
- Logo keying

Specifications

- Linear Keying (additive or multiplicative)
- SD/SDI (270Mb/s) and HD/SDI (1.485Gb/s) operation
- HD-DSK is multi standards:
 - > SD 625i (EBU BT601)
 - > SD 525i (SMPTE 125M)
 - > HD 1080i/50 (SMPTE 274M-6)
 - > HD 1080i/59.94 (SMPTE 274M-5)
 - > HD 720p/50 (SMPTE 296M-3)
 - > HD 720p/59.94 (SMPTE 296M-2)
- Internal 12 bits
- 1 SDI Program BG input with autophasing 1 line
- 1 SDI Preview input with autophasing 1 line
- 1 SDI Fill input with autophasing 1 line
- 1 SDI Key input with autophasing 1 line
- 2 SDI Program outputs
- 1 SDI Program output with by-pass in the rack frame
- 1 SDI Preview output with by-pass in the rack frame
- Transparent for auxiliary data and embedded audio
- EDH insertion
 - > Black burst sync for SD (and HD V2 release)
 - > Tri-level sync for HD
- Genlock with horizontal and vertical phasing
- Transition: Cut or Fade
- Fade to black on Program
- 6 GPI
- 5 GPO open collector pull-down Tally
- Up to 4 HD boards in 1U-19" rack frame
- Power supply for rack frame: max 90W, 100V to 250V, 50/60Hz dual redundant PSUs (optional)
- CE & FCC Part 15 compliant



Rear Panel HD-RK4



Related products

- **HD-RK4** : Frame (1U-19") for up to 4 boards with 1 power supply (external)
- **RPP6** : 6 keys GPI remote control panel for HD-DSK boards
- **RPP18** : 18 keys GPI remote control panel for HD-DSK boards
- **PW 90** : Spare or redundant power supply for HD-RK4