

General

The **DSK2000** is a digital linear keyer.

Description

- Broadcast Digital keyer
- Euronorm board
- Up to six keyers in a 1U - 19" frame
- Can be cascaded together (for multiple layers)

Applications

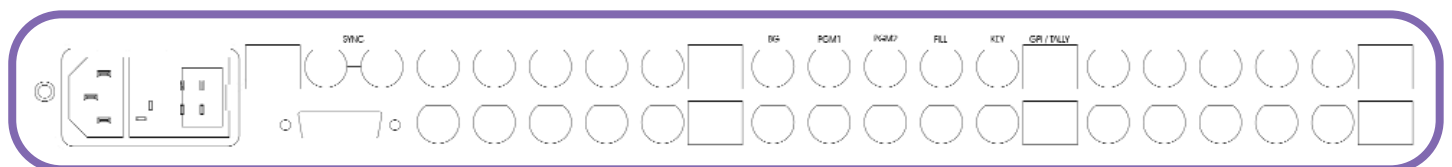
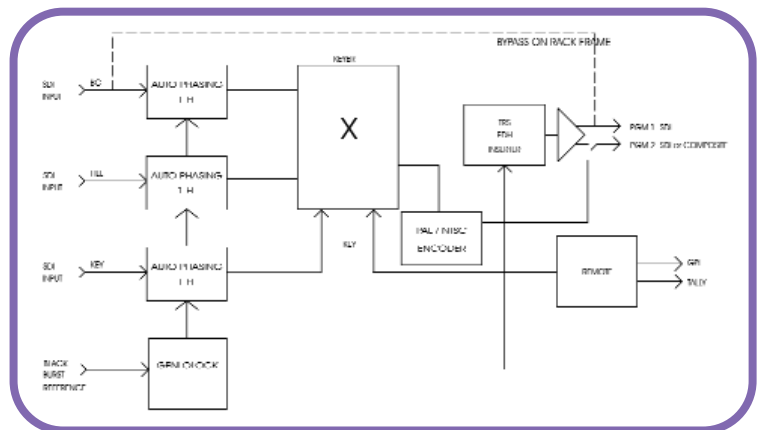
- Pass embedded audio
- Character generator keying
- Logo keying
- Add DSK layers to video mixer/switcher...



DSK2000

Specifications

- Linear keying
- 525/625 lines
- Internal 12 bits
- 4:2:2 10 bits serial digital video inputs/outputs
- BG input with 1 line autophasing
- 1 FILL input with 1 line autophasing
- 1 KEY input with 1 line autophasing
- 1 SDI main PGM output with bypass (automatic on rack frame)
- 1 more output can be configured as PGM or PVW (analog or digital)
- 1 input reference : black burst
- Horizontal and vertical phasing
- EDH insertion
- Transparent to auxiliary data and embedded audio
- Control by GPI or Push button (RJ 45)
- 1 Tally output (RJ 45)
- Euronorm board 220 X 100 mm
- Up to 6 boards in 1U-19" rack frame
- RS232 remote control of 6 boards on rack frame (option RK6-OPT1)
- CE & FCC Part 15 compliant



Related products

- **RK6** : Frame for up to 6 boards with 1 power supply (1U-19")
- **RK6-3** : Frame for up to 3 boards with 1 power supply (1U-19")
- **RK6D** : Frame for up to 4 boards with 2 power supplies (1U-19")
- **RPP6** : 6 keys remote control panel for 6 DSK2000 boards
- **RK6-OPT1** : Serial remote control hub for 6 boards in RK6 rack frame